

# SMADV -100 kg

## Competitors

#	Name	Grade	Club	1	2	3	Wins	Pts	Pos
1	Justin FILTEAU	Brown	Swift Current	XX	10		1	10	2
2	Michael MURPHY	Blue	U of A		XX		0	0	3
3	Simon TREMBLAY	Shodan	Kodokwai	10	10	XX	2	20	1

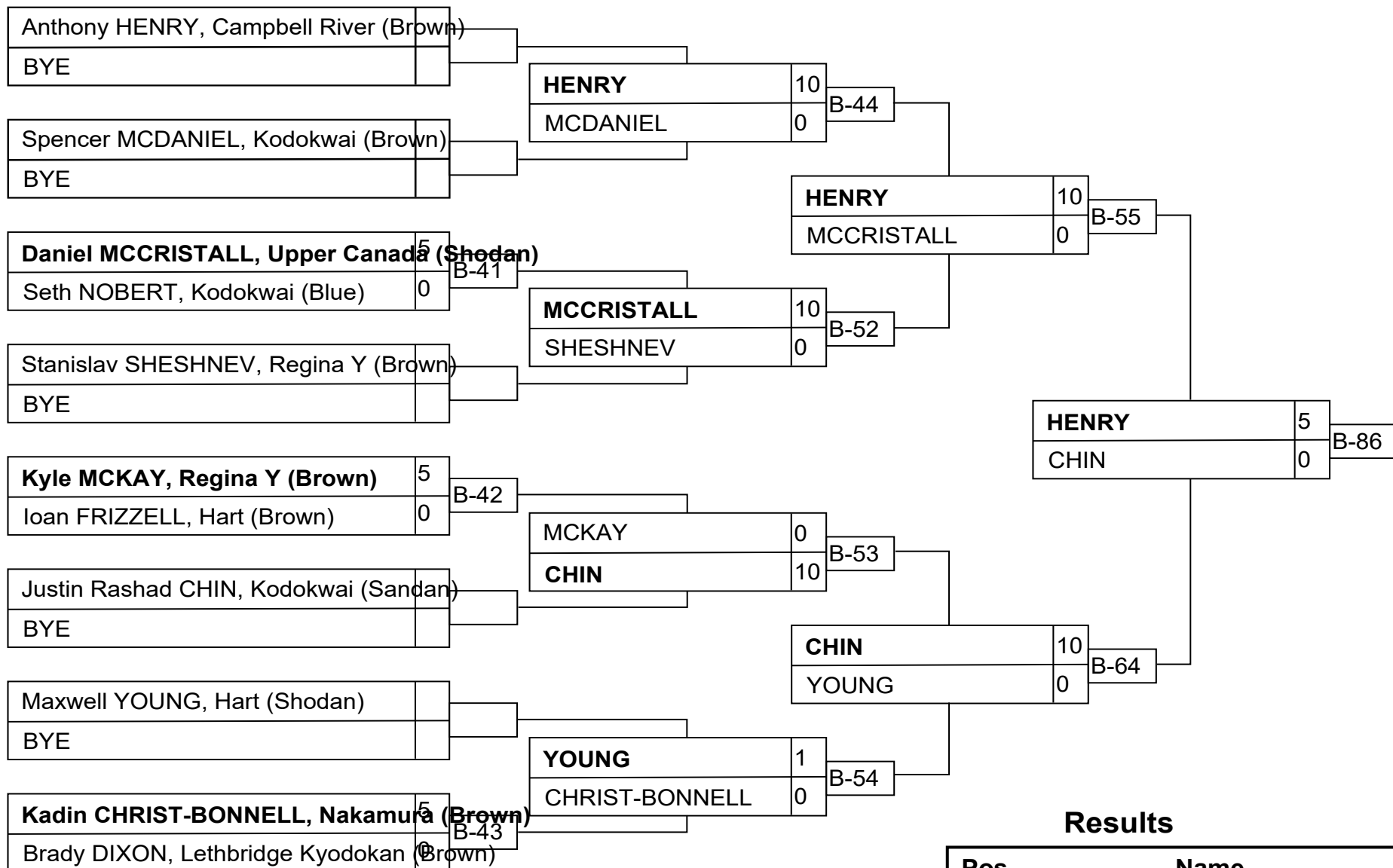
## Matches

Match	White			Blue	Result	Time	Code
C-64	<b>Justin FILTEAU</b>	1	2	Michael MURPHY	10 - 0	0:17	IPO
C-76	Justin FILTEAU	1	3	<b>Simon TREMBLAY</b>	0 - 10	0:26	IPO
C-86	Michael MURPHY	2	3	<b>Simon TREMBLAY</b>	0 - 10	1:17	IPO

## Results

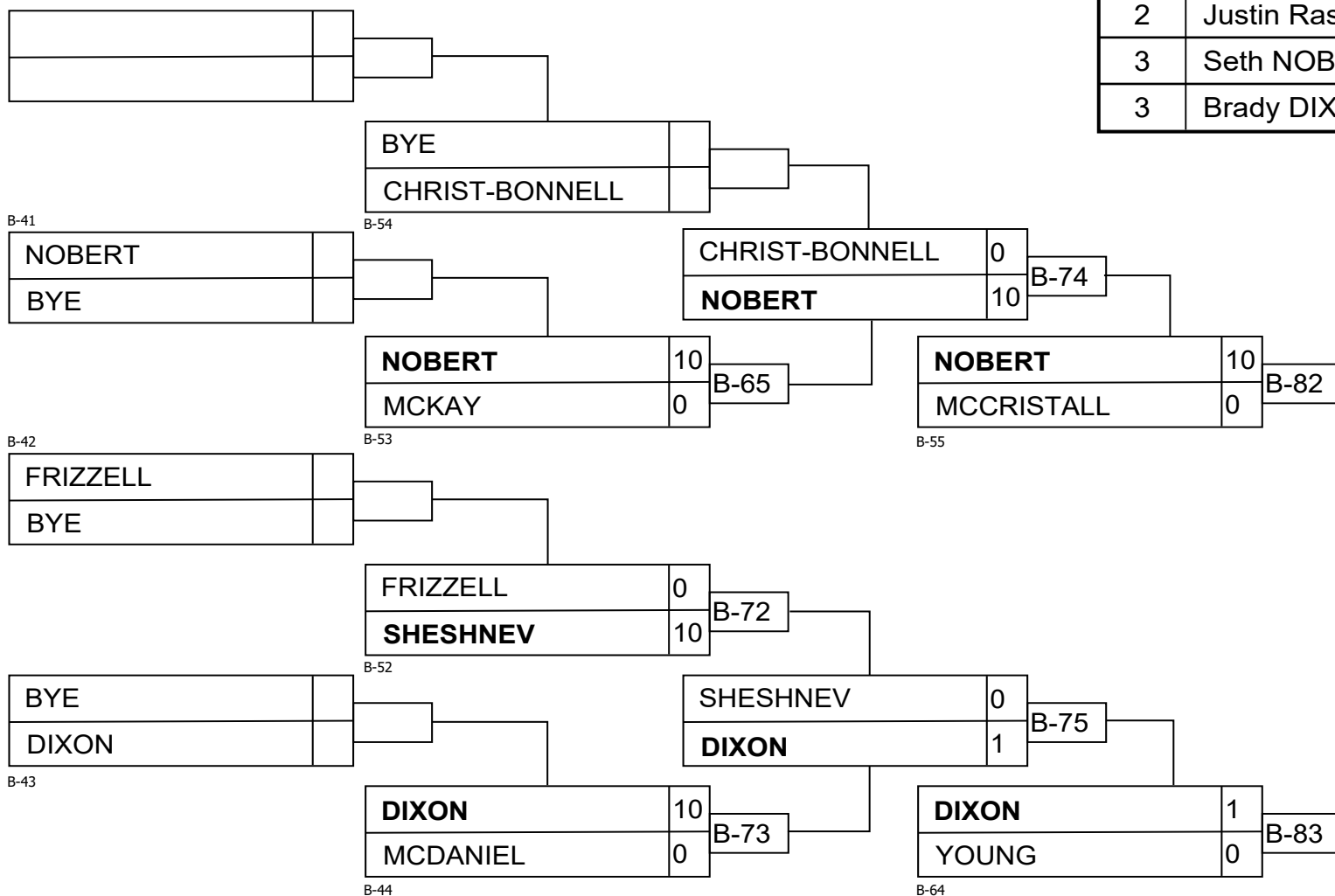
Pos	Name
1	Simon TREMBLAY, Kodokwai
2	Justin FILTEAU, Swift Current

# SMADV -60 kg

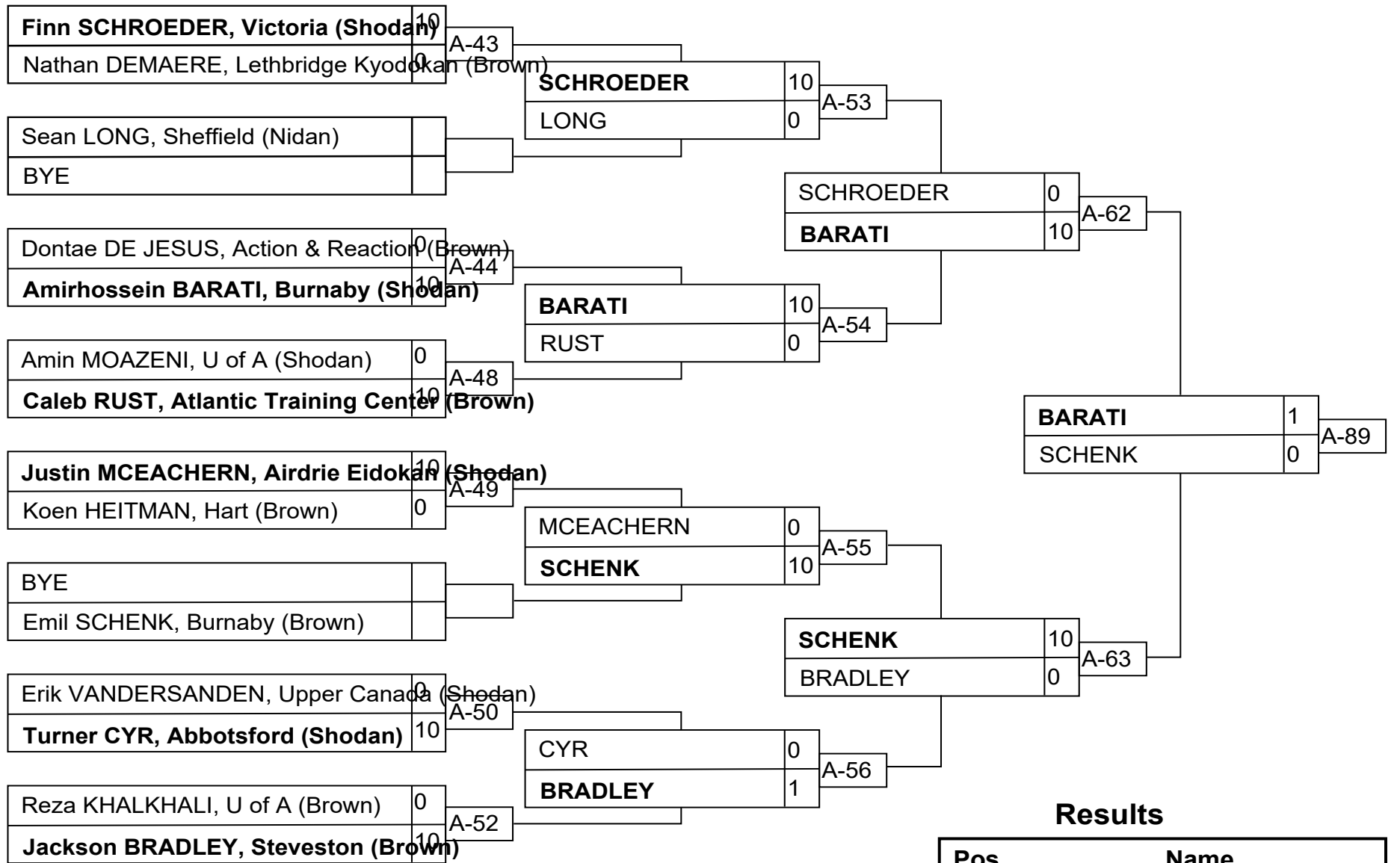


## Results

Pos	Name
1	Anthony HENRY, Campbell River (Brown)
2	Justin Rashad CHIN, Kodokwai (Sandan)
3	Seth NOBERT, Kodokwai (Blue)
3	Brady DIXON, Lethbridge Kyodokan (Brown)



# SMADV -66 kg



## Results

Pos	Name
1	Amirhossein BARATI, Burnaby (Shodan)
2	Emil SCHENK, Burnaby (Brown)
3	Dontae DE JESUS, Action & Reaction (Brown)
3	Erik VANDERSANDEN, Upper Canada (Shodan)

A-43

DEMAERE	
BYE	

DEMAERE	1
CYR	0

A-44

DE JESUS	10
MOAZENI	0

A-56

DEMAERE	0
DE JESUS	10

A-48

DE JESUS	10
MCEACHERN	0

A-70

DE JESUS	10
MCEACHERN	0

A-84

DE JESUS	10
SCHROEDER	0

A-49

HEITMAN	
BYE	

A-55

HEITMAN	10
RUST	0

A-50

VANDERSANDEN	10
KHALKHALI	0

A-54

HEITMAN	0
VANDERSANDEN	10

A-52

VANDERSANDEN	10
LONG	0

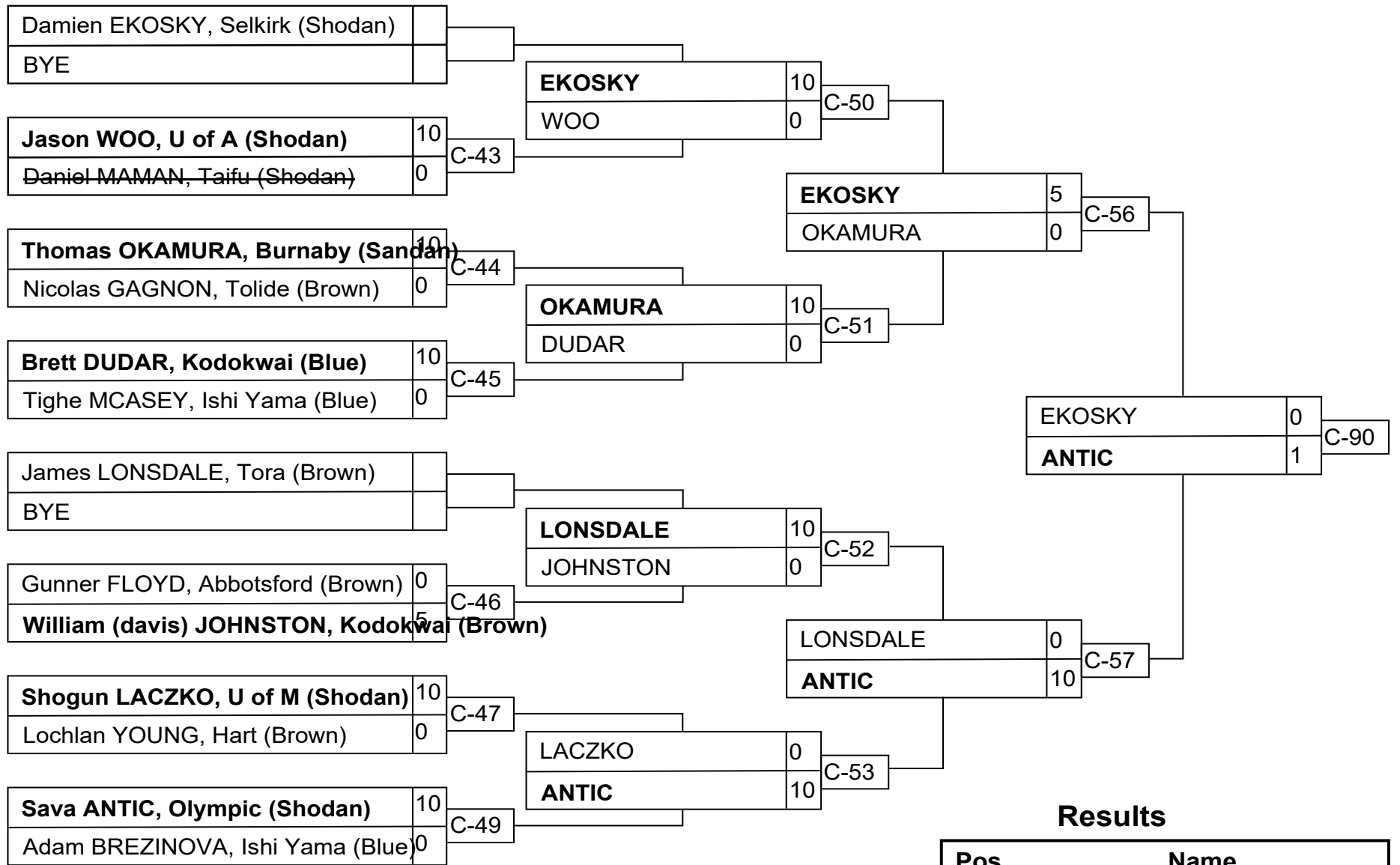
A-72

VANDERSANDEN	10
LONG	0

A-63

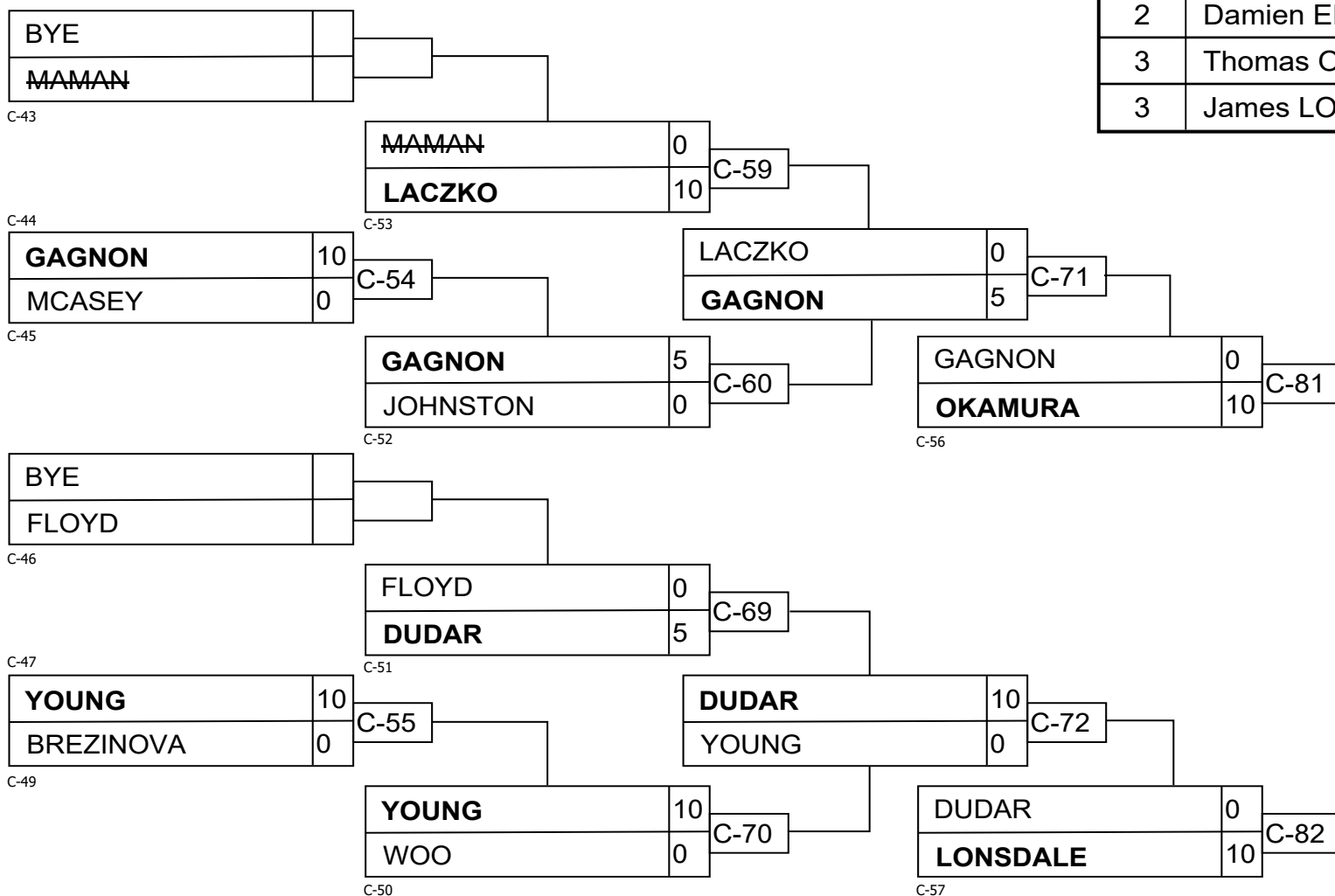
VANDERSANDEN	10
BRADLEY	0

# SMADV -73 kg

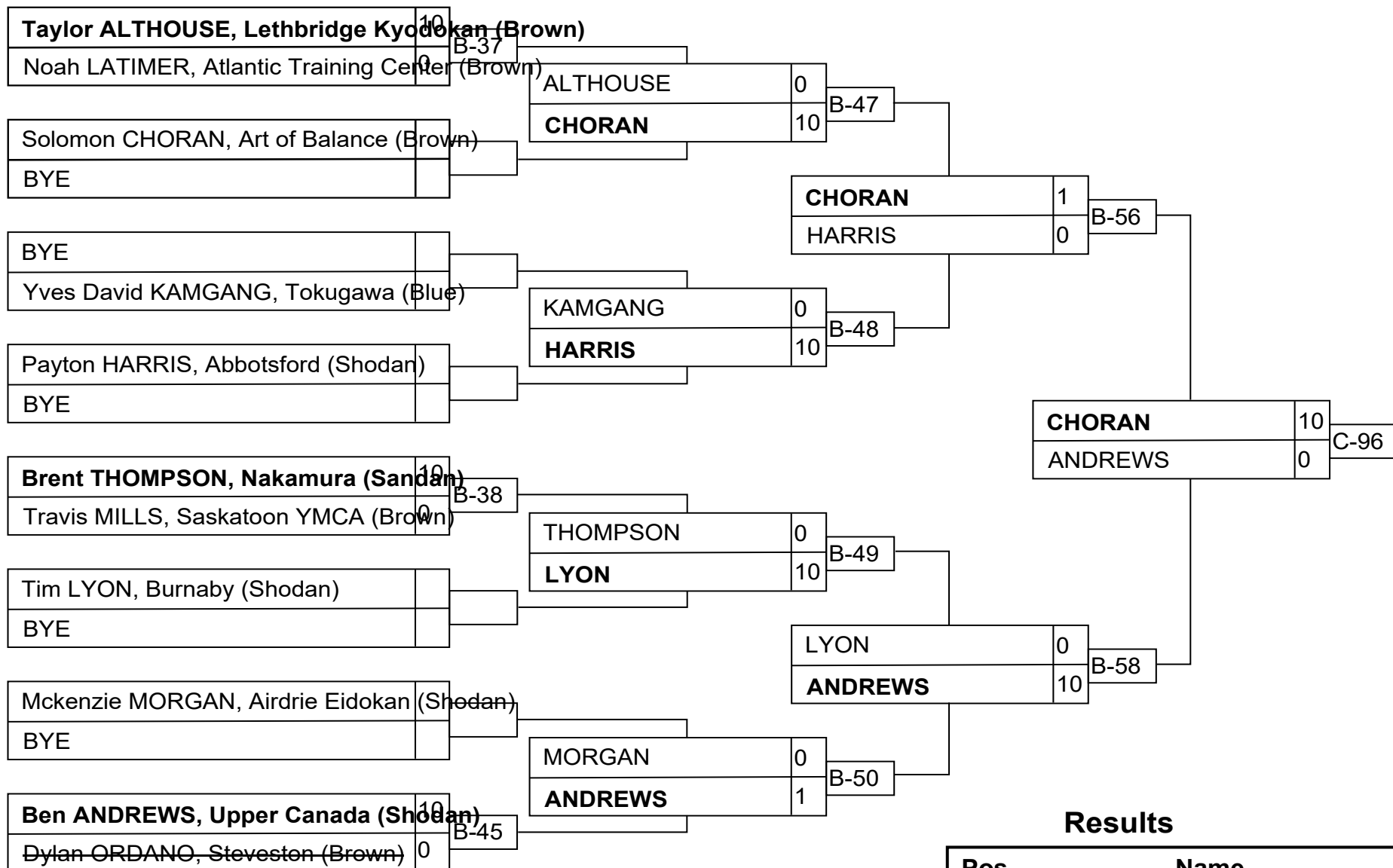


## Results

Pos	Name
1	Sava ANTIC, Olympic (Shodan)
2	Damien EKOSKY, Selkirk (Shodan)
3	Thomas OKAMURA, Burnaby (Sandan)
3	James LONSDALE, Tora (Brown)

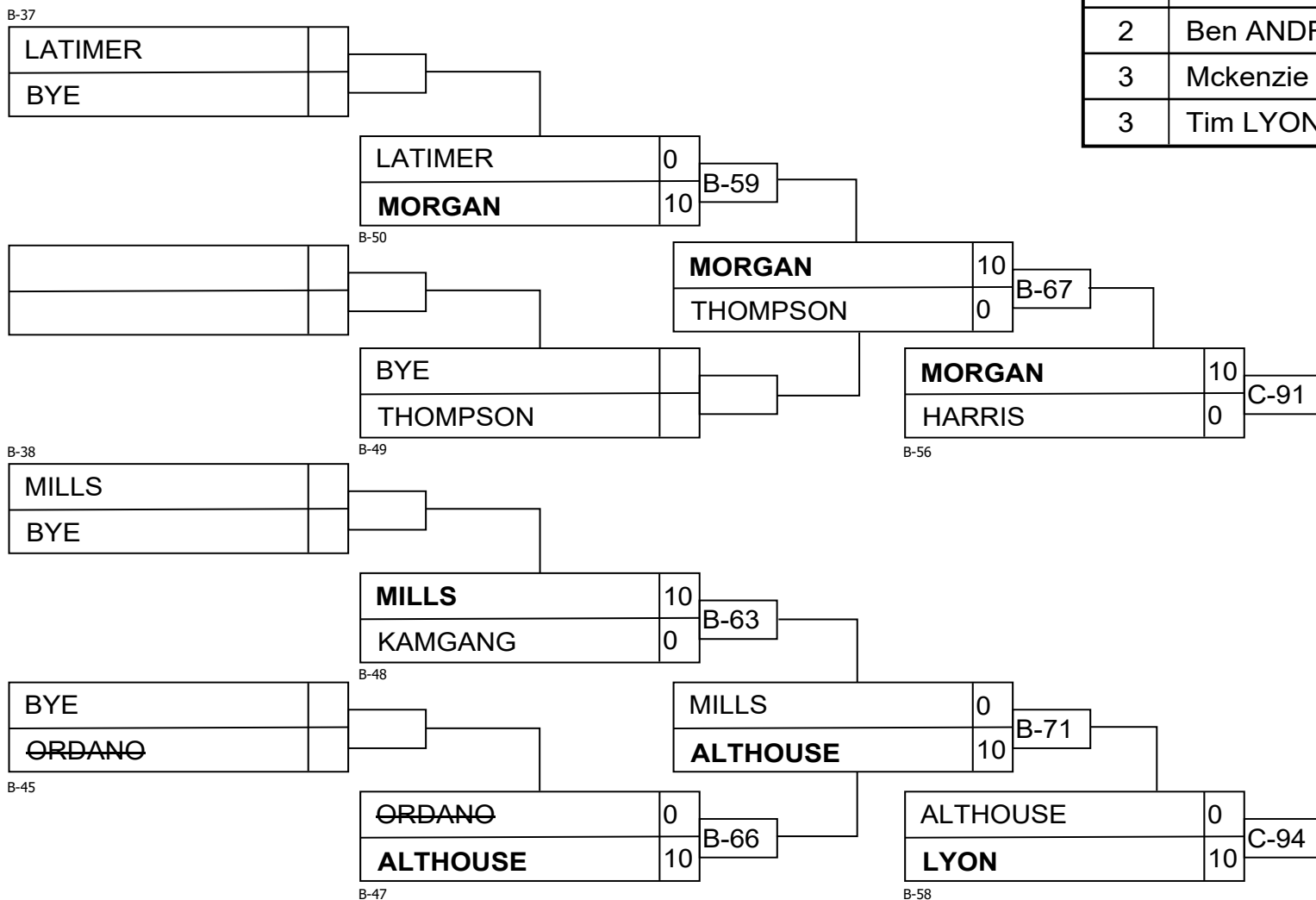


# SMADV -81 kg



## Results

Pos	Name
1	Solomon CHORAN, Art of Balance (Brown)
2	Ben ANDREWS, Upper Canada (Shodan)
3	Mckenzie MORGAN, Airdrie Eidokan (Shodan)
3	Tim LYON, Burnaby (Shodan)



# SMADV -90 kg

## Competitors

#	Name	Grade	Club	1	2	3	4	Wins	Pts	Pos
1	Chris BAILEY	Nidan	Lethbridge Kyodokan	XX	10	10	10	3	30	1
2	Ethan COBBE-HOGGAN	Brown	Medicine Hat		XX		10	1	10	3
3	Ezra LALONDE	Shodan	South Corman Park		10	XX	10	2	20	2
4	Rowen KINGSTON	Blue	Shiroumakai				XX	0	0	4

## Matches

Match	White			Blue	Result	Time	Code
B-60	Chris BAILEY	1	2	Ethan COBBE-HOGGAN	10 - 0	0:24	IPO
B-61	Ezra LALONDE	3	4	Rowen KINGSTON	10 - 0	0:55	IPO
B-68	Chris BAILEY	1	3	Ezra LALONDE	10 - 0	0:54	IPO
B-69	Ethan COBBE-HOGGAN	2	4	Rowen KINGSTON	10 - 0	1:04	IPO
B-78	Chris BAILEY	1	4	Rowen KINGSTON	10 - 0	0:30	IPO
B-79	Ethan COBBE-HOGGAN	2	3	Ezra LALONDE	0 - 10	0:19	IPO

## Results

Pos	Name
1	Chris BAILEY, Lethbridge Kyodokan
2	Ezra LALONDE, South Corman Park
3	Ethan COBBE-HOGGAN, Medicine Hat

# SMADV +100 kg

## Competitors

#	Name	Grade	Club	1	2	3	Wins	Pts	Pos
1	Toru IWAASA	Brown	Swift Current	XX	10	10	2	20	1
2	Chris HODGSON	Shodan	Saskatoon YMCA		XX	10	1	10	2
3	Colin KUNZLI	Shodan	Lethbridge Kyodokan			XX	0	0	3

## Matches

Match	White			Blue	Result	Time	Code
C-66	Toru IWAASA	1	2	Chris HODGSON	10 - 0	2:15	WIP
C-78	Toru IWAASA	1	3	Colin KUNZLI	10 - 0	1:43	IPO
C-88	Chris HODGSON	2	3	Colin KUNZLI	10 - 0	1:59	IPO

## Results

Pos	Name
1	Toru IWAASA, Swift Current
2	Chris HODGSON, Saskatoon YMCA

# SMNOV -60 kg

## Competitors

#	Name	Grade	Club	1	2	1	2	1	2	Wins	Pts	Pos
1	Nhan NGUYEN	Yellow	U of A	XX		XX	10	XX	10	2	20	1
2	Tymour ANAN	Green	Hiro's	10	XX		XX		XX	1	10	2

## Matches

Match	White			Blue	Result	Time	Code
C-58	Nhan NGUYEN	1	2	<b>Tymour ANAN</b>	0 - 10	0:18	IPO
C-68	Tymour ANAN	2	1	<b>Nhan NGUYEN</b>	0 - 10	0:12	IPO
C-80	<b>Nhan NGUYEN</b>	1	2	Tymour ANAN	10 - 0	0:36	IPO

## Results

Pos	Name
1	Nhan NGUYEN, U of A
2	Tymour ANAN, Hiro's



# SMNOV -90 kg

## Competitors

#	Name	Grade	Club	1	2	1	2	1	2	Wins	Pts	Pos
1	Evan NADURAK	Orange	Avonhurst	XX		XX		XX		0	0	2
2	Robin KURPJUWEIT	Green	Medicine Hat	10	XX	10	XX		XX	2	20	1

## Matches

Match	White			Blue	Result	Time	Code
C-67	Evan NADURAK	1	2	Robin KURPJUWEIT	0 - 10	0:45	IPO
C-79	Robin KURPJUWEIT	2	1	Evan NADURAK	10 - 0	0:25	IPO
C-89	Evan NADURAK	1	2	Robin KURPJUWEIT			

## Results

Pos	Name
1	Robin KURPJUWEIT, Medicine Hat

# SMNOV +100 kg

## Competitors

#	Name	Grade	Club	1	2	3	Wins	Pts	Pos
1	Jadon LEENDERS	Green	Shiroumakai	XX	10	10	2	20	1
2	Kwaku OSEI BONSU	Orange	Regina Y		XX	10	1	10	2
3	Matthew GOURLEY	Green	Medicine Hat			XX	0	0	3

## Matches

Match	White			Blue	Result	Time	Code
C-65	Jadon LEENDERS	1	2	Kwaku OSEI BONSU	10 - 0	0:50	IPO
C-77	Jadon LEENDERS	1	3	Matthew GOURLEY	10 - 0	2:01	WIP
C-87	Kwaku OSEI BONSU	2	3	Matthew GOURLEY	10 - 0	1:45	IPO

## Results

Pos	Name
1	Jadon LEENDERS, Shiroumakai
2	Kwaku OSEI BONSU, Regina Y

# SW -48 kg

## Competitors

#	Name	Grade	Club	1	2	3	4	Wins	Pts	Pos
1	Brooke CORBETT	Blue	Hart	XX				0	0	4
2	Emilija Ema TESANOVIC	Brown	Ishi Yama	10	XX	10	10	3	30	1
3	Klavdia DANILKOV	Brown	Burnaby	10		XX		1	10	3
4	Tami GOTO	Shodan	Prince George	1		1	XX	2	2	2

## Matches

Match	White			Blue	Result	Time	Code
C-62	Brooke CORBETT	1	2	<b>Emilija Ema TESANOVIC</b>	0 - 10	1:34	WIP
C-63	Klavdia DANILKOV	3	4	<b>Tami GOTO</b>	0 - 1	4:15	GS
C-74	Brooke CORBETT	1	3	<b>Klavdia DANILKOV</b>	0 - 10	1:22	WIP
C-75	<b>Emilija Ema TESANOVIC</b>	2	4	Tami GOTO	10 - 0	4:00	IPO
C-84	Brooke CORBETT	1	4	<b>Tami GOTO</b>	0 - 1	4:17	GS
C-85	<b>Emilija Ema TESANOVIC</b>	2	3	Klavdia DANILKOV	10 - 0	2:19	IPO

## Results

Pos	Name
1	Emilija Ema TESANOVIC, Ishi Yama
2	Tami GOTO, Prince George
3	Klavdia DANILKOV, Burnaby

# SW -52 kg

## Competitors

#	Name	Grade	Club	1	2	3	4	5	Wins	Pts	Pos
1	Michelle GRISALES	Blue	Hoku Sei Kan	XX	10	10		1	3	21	1
2	Despina CHRISTOU	Brown	Hiro's		XX				0	0	4
3	Nina ZIGIC	Blue	Nakamura		10	XX			1	10	3
4	<del>Kondelia KARAS</del>	Blue	Kodokwai				XX		0	0	5
5	Seleena BRESSON-ADAMS	Green	Lethbridge Kyodokan		10	10		XX	2	20	2

## Matches

Match	White			Blue	Result	Time	Code
B-50	Kondelia KARAS	4	5	Seleena BRESSON-ADAMS			
B-51	<b>Michelle GRISALES</b>	1	2	Despina CHRISTOU	10 - 0	1:54	IPO
B-56	Nina ZIGIC	3	4	Kondelia KARAS			
B-57	<b>Michelle GRISALES</b>	1	5	Seleena BRESSON-ADAMS	1 - 0	4:56	GS
B-62	Despina CHRISTOU	2	3	<b>Nina ZIGIC</b>	0 - 10	1:04	IPO
B-63	Michelle GRISALES	1	4	Kondelia KARAS			
B-70	Nina ZIGIC	3	5	<b>Seleena BRESSON-ADAMS</b>	0 - 10	1:14	IPO
B-71	Despina CHRISTOU	2	4	Kondelia KARAS			
B-80	<b>Michelle GRISALES</b>	1	3	Nina ZIGIC	10 - 0	0:43	IPO
B-81	Despina CHRISTOU	2	5	<b>Seleena BRESSON-ADAMS</b>	0 - 10	0:01	IPO

## Results

Pos	Name
1	Michelle GRISALES, Hoku Sei Kan
2	Seleena BRESSON-ADAMS, Lethbridge Kyodokan
3	Nina ZIGIC, Nakamura

# SW -57 kg

## Competitors A

#	Name	Grade	Club	1	2	3	4	Wins	Pts	Pos
1	Kelley MILLS	Blue	Saskatoon YMCA	XX				0	0	4
2	Kiera WESTLAKE	Brown	Lethbridge Kyodokan	10	XX	10	10	3	30	1
3	Emma CALDWELL	Brown	Lethbridge Kyodokan	10		XX	1	2	11	2
4	Sydney GREVATT	Brown	Vernon	1			XX	1	1	3

## Matches A

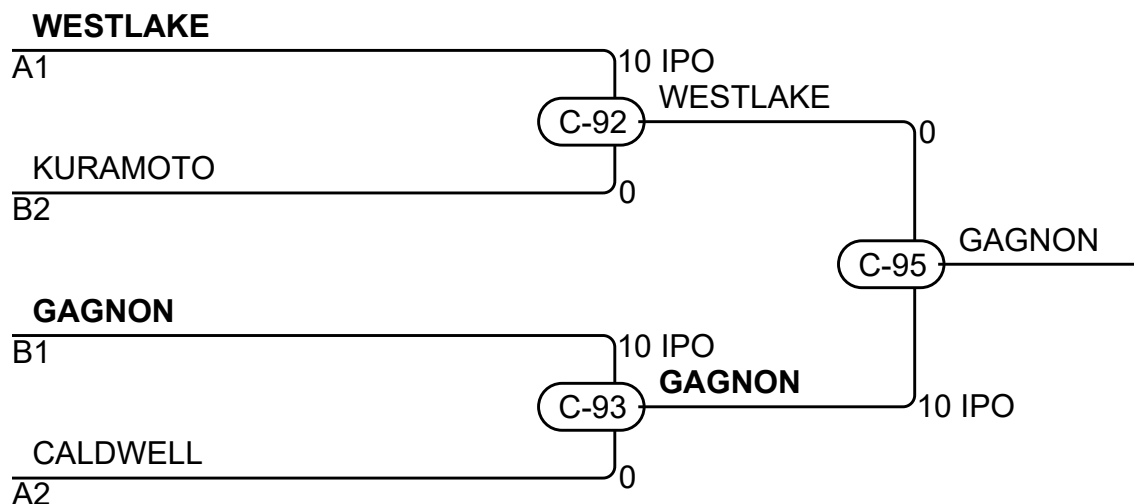
Match	White	Blue	Result	Time	Code
A-59	Kelley MILLS 1 2	Kiera WESTLAKE	0 - 10	1:21	IPO
A-60	Emma CALDWELL 3 4	Sydney GREVATT	1 - 0	5:03	GS
A-66	Kelley MILLS 1 3	Emma CALDWELL	0 - 10	0:16	IPO
A-67	Kiera WESTLAKE 2 4	Sydney GREVATT	10 - 0	3:30	IPO
A-75	Kelley MILLS 1 4	Sydney GREVATT	0 - 1	7:37	GS
A-76	Kiera WESTLAKE 2 3	Emma CALDWELL	10 - 0	3:20	IPO

## Competitors B

#	Name	Grade	Club	5	6	7	Wins	Pts	Pos
5	Caleigh KURAMOTO	Brown	Steveston	XX	10		1	10	2
6	Jacqueline DEMAERE	Brown	Lethbridge Kyodokan		XX		0	0	3
7	Alexandra GAGNON	Shodan	Tolide	10	5	XX	2	15	1

## Matches B

Match	White	Blue	Result	Time	Code
A-61	Caleigh KURAMOTO 5 6	Jacqueline DEMAERE	10 - 0	4:00	IPO
A-68	Caleigh KURAMOTO 5 7	Alexandra GAGNON	0 - 10	2:56	IPO
A-77	Jacqueline DEMAERE 6 7	Alexandra GAGNON	0 - 5	4:00	WAZ



## Results

Pos	Name
1	Alexandra GAGNON, Tolide
2	Kiera WESTLAKE, Lethbridge Kyodokan
3	Caleigh KURAMOTO, Steveston
3	Emma CALDWELL, Lethbridge Kyodokan

# SW -63 kg

## Competitors A

#	Name	Grade	Club	1	2	3	Wins	Pts	Pos
1	Teyana ROBERTS	Blue	Hiro's	XX			0	0	3
2	Sasha ZIGIC	Brown	Nakamura	10	XX	1	2	11	1
3	Jordann WARNER	Brown	Campbell River	10		XX	1	10	2

## Matches A

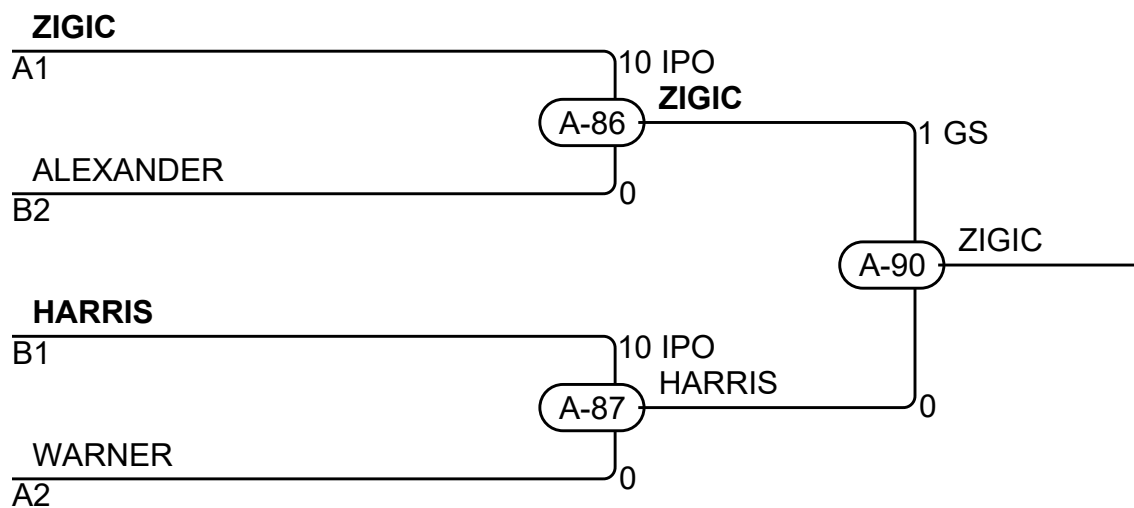
Match	White	Blue	Result	Time	Code
A-64	Teyana ROBERTS 1 2	Sasha ZIGIC	0 - 10	2:17	IPO
A-73	Teyana ROBERTS 1 3	Jordann WARNER	0 - 10	0:42	IPO
A-80	Sasha ZIGIC 2 3	Jordann WARNER	1 - 0	4:12	GS

## Competitors B

#	Name	Grade	Club	4	5	6	Wins	Pts	Pos
4	Isabella SHEPANSKY	Green	Kodokwai	XX			0	0	3
5	Éibhleann ALEXANDER	Brown	Shidokan	10	XX		1	10	2
6	Isabelle HARRIS	Shodan	Abbotsford	10	10	XX	2	20	1

## Matches B

Match	White	Blue	Result	Time	Code
A-65	Isabella SHEPANSKY 4 5	Éibhleann ALEXANDER	0 - 10	1:08	IPO
A-74	Isabella SHEPANSKY 4 6	Isabelle HARRIS	0 - 10	0:34	IPO
A-81	Éibhleann ALEXANDER 5 6	Isabelle HARRIS	0 - 10	2:29	IPO



## Results

Pos	Name
1	Sasha ZIGIC, Nakamura
2	Isabelle HARRIS, Abbotsford
3	Éibhleann ALEXANDER, Shidokan
3	Jordann WARNER, Campbell River

# SW -70 kg

## Competitors

#	Name	Grade	Club	1	2	3	Wins	Pts	Pos
1	Yana JACOBS	Green	Campbell River	XX			0	0	3
2	Brae BOOTH	Brown	Creston	10	XX	10	2	20	1
3	Julia SERGEEVA	Brown	Kodokwai	10		XX	1	10	2

## Matches

Match	White			Blue	Result	Time	Code
C-61	Yana JACOBS	1	2	<b>Brae BOOTH</b>	0 - 10	0:38	WIP
C-73	Yana JACOBS	1	3	<b>Julia SERGEEVA</b>	0 - 10	1:41	IPO
C-83	<b>Brae BOOTH</b>	2	3	Julia SERGEEVA	10 - 0	3:33	HAN

## Results

Pos	Name
1	Brae BOOTH, Creston
2	Julia SERGEEVA, Kodokwai

# U16F -40 kg

## Competitors

#	Name	Grade	Club	1	2	1	2	1	2	Wins	Pts	Pos
1	Brynn IWAASA	Green	Lethbridge Kyodokan	XX	10	XX	10	XX		2	20	1
2	Olivia GOSSELIN	Green	Kodokwai		XX		XX		XX	0	0	2

## Matches

Match	White			Blue	Result	Time	Code
C-8	<b>Brynn IWAASA</b>	1	2	Olivia GOSSELIN	10 - 0	0:25	IPO
C-18	Olivia GOSSELIN	2	1	<b>Brynn IWAASA</b>	0 - 10	0:14	IPO
C-29	Brynn IWAASA	1	2	Olivia GOSSELIN			

## Results

Pos	Name
1	Brynn IWAASA, Lethbridge Kyodokan



# U16F -44 kg

## Competitors

#	Name	Grade	Club	1	2	3	4	5	Wins	Pts	Pos
1	Marita Anne KROEKER	Green	Brandon	XX		10			1	10	4
2	Evelyn BEATON	Blue	Lethbridge Kyodokan	10	XX	10	10	10	4	40	1
3	Devrie NEWSTED	Green	Lloydminster			XX		1	1	1	5
4	Abigail SHEEHAN	Green	Campbell River	10		5	XX		2	15	3
5	Nadine BONDT	Green	Vernon	10			10	XX	2	20	2

## Matches

Match	White			Blue	Result	Time	Code
A-2	Abigail SHEEHAN	4	5	Nadine BONDT	0 - 10	0:05	IPO
A-3	Marita Anne KROEKER	1	2	Evelyn BEATON	0 - 10	0:10	IPO
A-9	Devrie NEWSTED	3	4	Abigail SHEEHAN	0 - 5	3:00	WAZ
A-10	Marita Anne KROEKER	1	5	Nadine BONDT	0 - 10	1:21	WIP
A-15	Evelyn BEATON	2	3	Devrie NEWSTED	10 - 0	1:20	IPO
A-16	Marita Anne KROEKER	1	4	Abigail SHEEHAN	0 - 10	0:08	IPO
A-23	Devrie NEWSTED	3	5	Nadine BONDT	1 - 0	6:58	GS
A-24	Evelyn BEATON	2	4	Abigail SHEEHAN	10 - 0	0:12	IPO
A-33	Marita Anne KROEKER	1	3	Devrie NEWSTED	10 - 0	1:47	WIP
A-34	Evelyn BEATON	2	5	Nadine BONDT	10 - 0	1:21	WIP

## Results

Pos	Name
1	Evelyn BEATON, Lethbridge Kyodokan
2	Nadine BONDT, Vernon
3	Abigail SHEEHAN, Campbell River
4	Marita Anne KROEKER, Brandon
5	Devrie NEWSTED, Lloydminster

# U16F -48 kg

## Competitors A

#	Name	Grade	Club	1	2	3	4	Wins	Pts	Pos
1	Chiara GOSSELIN	Green	Kodokwai	XX		10		1	10	3
2	Olivia SHEEHAN	Blue	Campbell River	10	XX	10	10	3	30	1
3	Brecklyn VEALE	Green	Lethbridge Kyodokan			XX		0	0	4
4	Paige IRWIN	Green	Vibank	1		10	XX	2	11	2

## Matches A

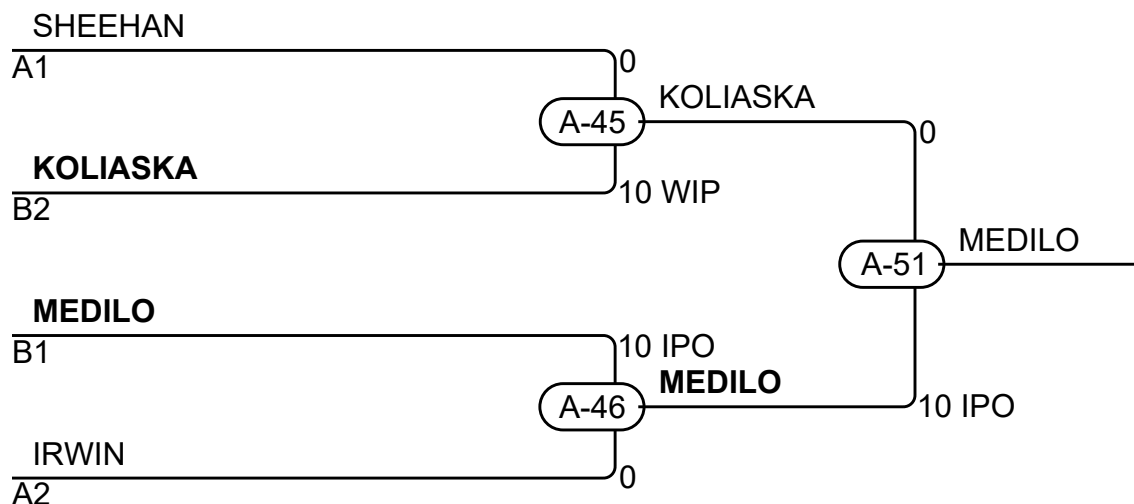
Match	White	Blue	Result	Time	Code
A-20	Chiara GOSSELIN 1 2	Olivia SHEEHAN	0 - 10	0:22	IPO
A-21	Brecklyn VEALE 3 4	Paige IRWIN	0 - 10	1:59	IPO
A-28	Chiara GOSSELIN 1 3	Brecklyn VEALE	10 - 0	2:12	IPO
A-29	Olivia SHEEHAN 2 4	Paige IRWIN	10 - 0	1:39	IPO
A-38	Chiara GOSSELIN 1 4	Paige IRWIN	0 - 1	3:27	GS
A-39	Olivia SHEEHAN 2 3	Brecklyn VEALE	10 - 0	1:40	IPO

## Competitors B

#	Name	Grade	Club	5	6	7	Wins	Pts	Pos
5	Aliya KOLIASKA	Green	Lethbridge Kyodokan	XX	10		1	10	2
6	Cienna PENETRANTE	Green	St. Albert Tokai		XX		0	0	3
7	Charlize Isabelle MEDILO	Green	Hiro's	10	10	XX	2	20	1

## Matches B

Match	White	Blue	Result	Time	Code
A-22	Aliya KOLIASKA 5 6	Cienna PENETRANTE	10 - 0	1:52	HAN
A-30	Aliya KOLIASKA 5 7	Charlize Isabelle MEDILO	0 - 10	1:22	IPO
A-40	Cienna PENETRANTE 6 7	Charlize Isabelle MEDILO	0 - 10	2:11	IPO



## Results

Pos	Name
1	Charlize Isabelle MEDILO, Hiro's
2	Aliya KOLIASKA, Lethbridge Kyodokan
3	Olivia SHEEHAN, Campbell River
3	Paige IRWIN, Vibank

# U16F -52 kg

## Competitors A

#	Name	Grade	Club	1	2	3	Wins	Pts	Pos
1	Brooklyn FRANSON	Orange	Saskatoon YMCA	XX	10	1	2	11	1
2	Jayna JOHNSTON	Green	Kodokwai		XX	5	1	5	2
3	Rylie CALDWELL	Green	Lethbridge Kyodokan			XX	0	0	3

## Matches A

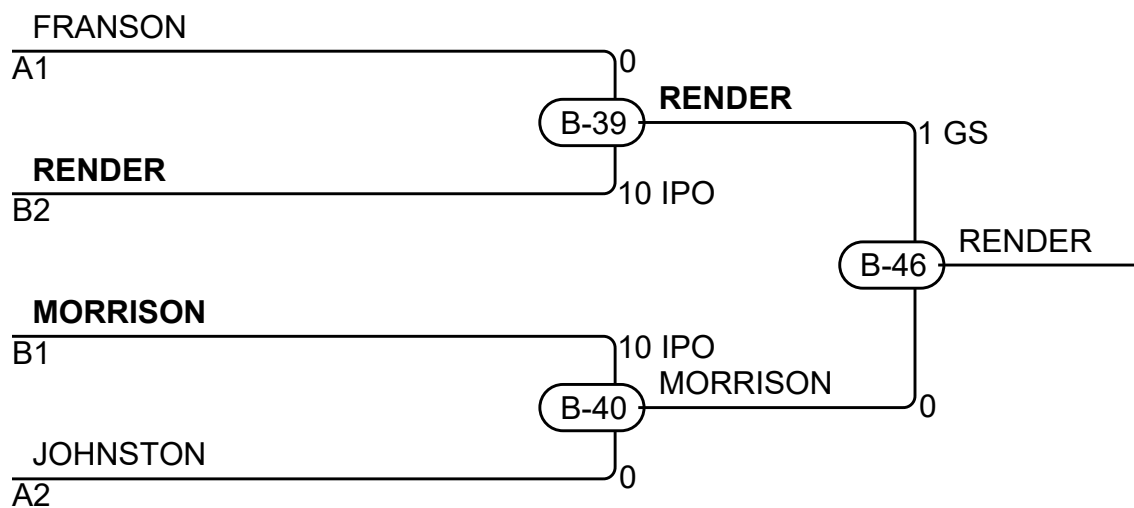
Match	White	Blue	Result	Time	Code
B-17	Brooklyn FRANSON 1 2	Jayna JOHNSTON	10 - 0	0:37	IPO
B-25	Brooklyn FRANSON 1 3	Rylie CALDWELL	1 - 0	3:45	GS
B-33	Jayna JOHNSTON 2 3	Rylie CALDWELL	5 - 0	3:00	WAZ

## Competitors B

#	Name	Grade	Club	4	5	6	Wins	Pts	Pos
4	Kayla JOHNSON	Orange	Tokugawa	XX			0	0	3
5	Mckinna MORRISON	Blue	Ishi Yama	10	XX	5	2	15	1
6	Callie RENDER	Green	Lethbridge Kyodokan	10		XX	1	10	2

## Matches B

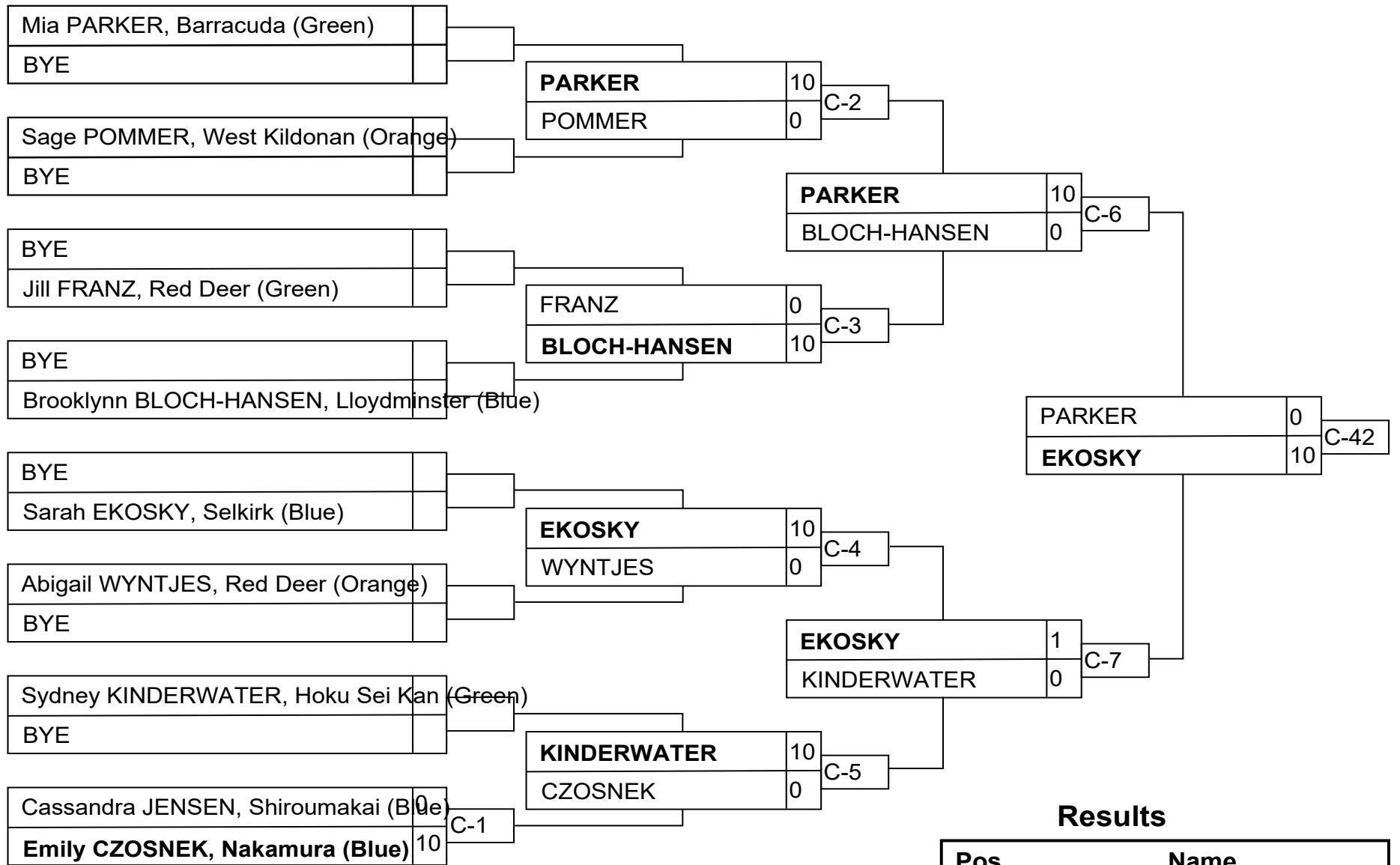
Match	White	Blue	Result	Time	Code
B-18	Kayla JOHNSON 4 5	Mckinna MORRISON	0 - 10	0:23	WIP
B-26	Kayla JOHNSON 4 6	Callie RENDER	0 - 10	1:09	IPO
B-34	Mckinna MORRISON 5 6	Callie RENDER	5 - 0	3:00	WAZ



## Results

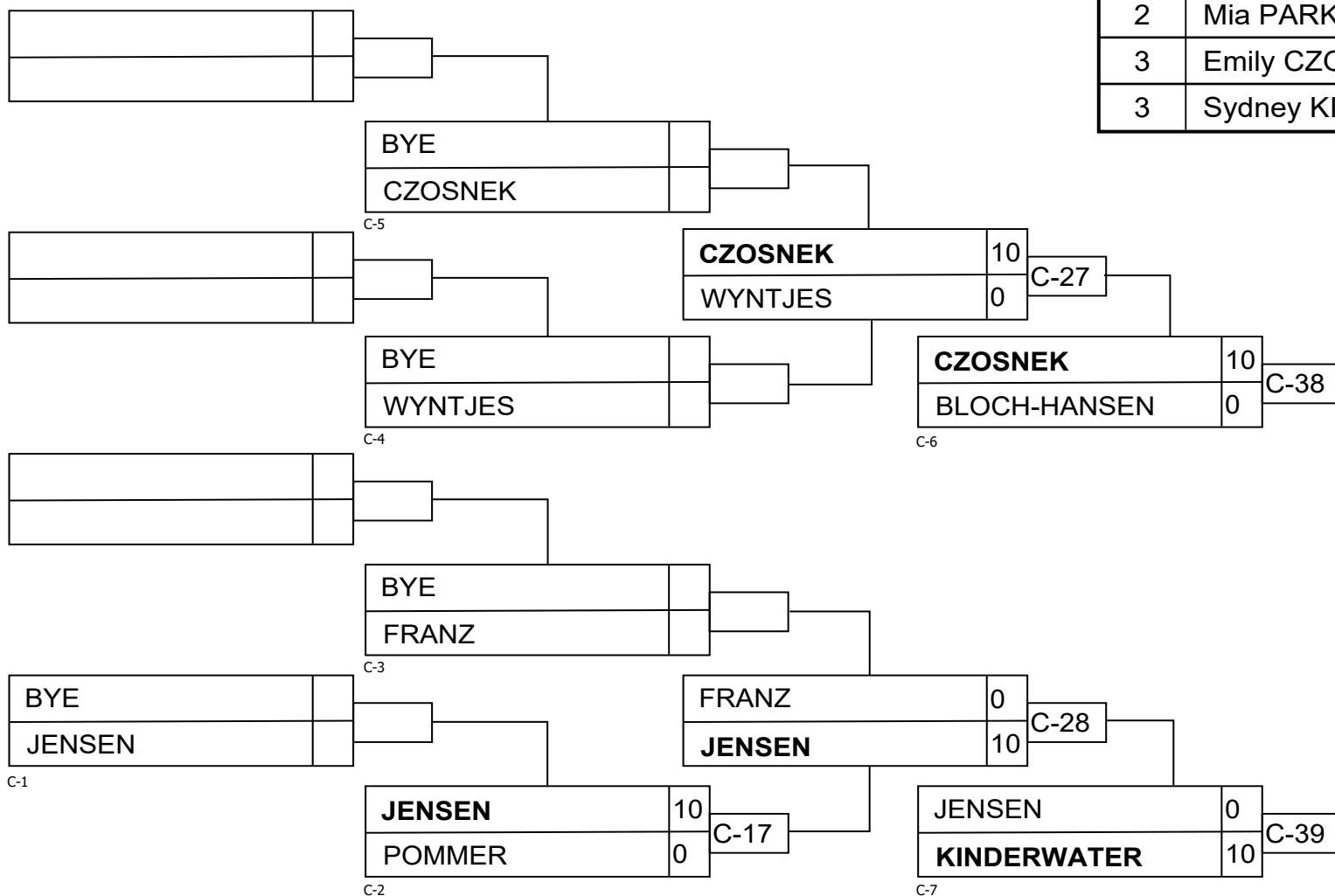
Pos	Name
1	Callie RENDER, Lethbridge Kyodokan
2	Mckinna MORRISON, Ishi Yama
3	Brooklyn FRANSON, Saskatoon YMCA
3	Jayna JOHNSTON, Kodokwai

# U16F -57 kg



## Results

Pos	Name
1	Sarah EKOSKY, Selkirk (Blue)
2	Mia PARKER, Barracuda (Green)
3	Emily CZOSNEK, Nakamura (Blue)
3	Sydney KINDERWATER, Hoku Sei Kan (Green)



# U16F -63 kg

## Competitors

#	Name	Grade	Club	1	2	3	4	Wins	Pts	Pos
1	Alexis DAHL	Orange	Regina Y	XX				0	0	4
2	Desiree FRANSON	Orange	Saskatoon YMCA	10	XX			1	10	3
3	Rebecca VILLA	Blue	Nakamura	10	10	XX		2	20	2
4	Greta GOASDOUE-WALLACE	Brown	Hiro's	10	10	10	XX	3	30	1

## Matches

Match	White			Blue	Result	Time	Code
C-13	Alexis DAHL	1	2	Desiree FRANSON	0 - 10	0:38	IPO
C-14	Rebecca VILLA	3	4	Greta GOASDOUE-WALLACE	0 - 10	0:58	IPO
C-23	Alexis DAHL	1	3	Rebecca VILLA	0 - 10	1:12	IPO
C-24	Desiree FRANSON	2	4	Greta GOASDOUE-WALLACE	0 - 10	2:20	HAN
C-34	Alexis DAHL	1	4	Greta GOASDOUE-WALLACE	0 - 10	0:51	IPO
C-35	Desiree FRANSON	2	3	Rebecca VILLA	0 - 10	0:50	IPO

## Results

Pos	Name
1	Greta GOASDOUE-WALLACE, Hiro's
2	Rebecca VILLA, Nakamura
3	Desiree FRANSON, Saskatoon YMCA

# U16M -38 kg

## Competitors

#	Name	Grade	Club	1	2	3	Wins	Pts	Pos
1	Tayven TREMBLAY	Blue	St. Albert Tokai	XX	10	10	2	20	1
2	Hugo BROWN	Green	Hiro's		XX		0	0	3
3	Corbin HILMAN	Blue	Prince George		10	XX	1	10	2

## Matches

Match	White			Blue	Result	Time	Code
A-17	<b>Tayven TREMBLAY</b>	1	2	Hugo BROWN	10 - 0	0:11	IPO
A-25	<b>Tayven TREMBLAY</b>	1	3	Corbin HILMAN	10 - 0	1:39	IPO
A-35	Hugo BROWN	2	3	<b>Corbin HILMAN</b>	0 - 10	2:04	WIP

## Results

Pos	Name
1	Tayven TREMBLAY, St. Albert Tokai
2	Corbin HILMAN, Prince George

# U16M -42 kg

## Competitors

#	Name	Grade	Club	1	2	3	4	Wins	Pts	Pos
1	Caleb DEMAERE	Blue	Lethbridge Kyodokan	XX	10	10	10	3	30	1
2	Elijah HILL	Blue	Lethbridge Kyodokan		XX	10	10	2	20	2
3	Thomas HUANG	Blue	Regina Y			XX	10	1	10	3
4	Caleb COUZENS	Green	Avonhurst				XX	0	0	4

## Matches

Match	White			Blue	Result	Time	Code
C-11	Caleb DEMAERE	1	2	Elijah HILL	10 - 0	1:51	IPO
C-12	Thomas HUANG	3	4	Caleb COUZENS	10 - 0	0:56	IPO
C-21	Caleb DEMAERE	1	3	Thomas HUANG	10 - 0	0:49	IPO
C-22	Elijah HILL	2	4	Caleb COUZENS	10 - 0	0:36	IPO
C-32	Caleb DEMAERE	1	4	Caleb COUZENS	10 - 0	1:00	IPO
C-33	Elijah HILL	2	3	Thomas HUANG	10 - 0	2:55	IPO

## Results

Pos	Name
1	Caleb DEMAERE, Lethbridge Kyodokan
2	Elijah HILL, Lethbridge Kyodokan
3	Thomas HUANG, Regina Y

# U16M -46 kg

## Competitors A

#	Name	Grade	Club	1	2	3	4	Wins	Pts	Pos
1	Tyson THORNTON	Blue	Tokugawa	XX			10	1	10	3
2	Philip ALLEN	Green	Lethbridge Kyodokan	10	XX	10	10	3	30	1
3	Andries VANZYL	Blue	Hart	10		XX	10	2	20	2
4	Harmen HAASE	Green	Regina Y				XX	0	0	4

## Matches A

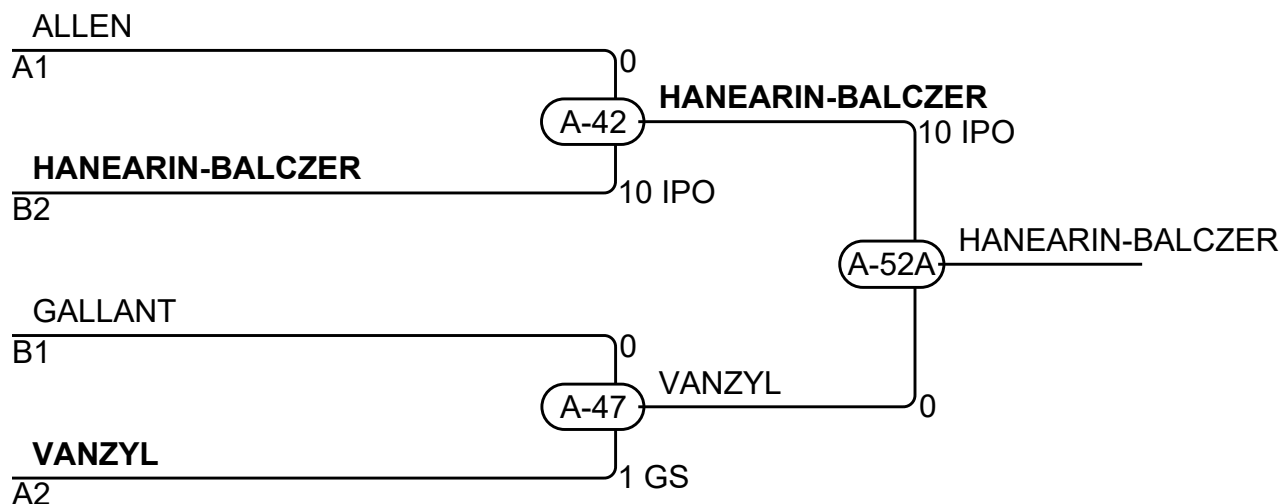
Match	White	Blue	Result	Time	Code
A-1	Tyson THORNTON 1 2	Philip ALLEN	0 - 10	0:37	WIP
A-4	Andries VANZYL 3 4	Harmen HAASE	10 - 0	0:19	WIP
A-6	Tyson THORNTON 1 3	Andries VANZYL	0 - 10	0:04	WIP
A-11	Philip ALLEN 2 4	Harmen HAASE	10 - 0	0:30	WIP
A-31	Tyson THORNTON 1 4	Harmen HAASE	10 - 0	2:20	IPO
A-32	Philip ALLEN 2 3	Andries VANZYL	10 - 0	1:36	IPO

## Competitors B

#	Name	Grade	Club	5	6	7	Wins	Pts	Pos
5	Garrett PARKER	Green	Barracuda	XX			0	0	3
6	Keenan HANEARIN-BALCZER	Green	Hiro's	10	XX		1	10	2
7	Troy GALLANT	Green	Lethbridge Kyodokan	10	1	XX	2	11	1

## Matches B

Match	White	Blue	Result	Time	Code
A-5	Garrett PARKER 5 6	Keenan HANEARIN-BALCZER	0 - 10	0:20	IPO
A-14	Garrett PARKER 5 7	Troy GALLANT	0 - 10	0:48	WIP
A-35A	Keenan HANEARIN-BALCZER 6 7	Troy GALLANT	0 - 1	3:08	GS



## Results

Pos	Name
1	Keenan HANEARIN-BALCZER, Hiro's
2	Andries VANZYL, Hart
3	Philip ALLEN, Lethbridge Kyodokan
3	Troy GALLANT, Lethbridge Kyodokan



# U16M -50 kg

## Competitors

#	Name	Grade	Club	1	2	3	4	5	Wins	Pts	Pos
1	Kelden CHRIST-BONNELL	Blue	Nakamura	XX	10		10	10	3	30	2
2	James KREUTZER	Orange	Southwest		XX				0	0	5
3	Asher YOUNG	Blue	Hart	10	10	XX	10	10	4	40	1
4	Nathan ROLFE	Blue	Ishi Yama		5		XX		1	5	4
5	Dj ROBERTS	Green	Hiro's		1		10	XX	2	11	3

## Matches

Match	White			Blue	Result	Time	Code
B-5	Nathan ROLFE	4	5	Dj ROBERTS	0 - 10	1:57	IPO
B-6	Kelden CHRIST-BONNELL	1	2	James KREUTZER	10 - 0	0:47	IPO
B-11	Asher YOUNG	3	4	Nathan ROLFE	10 - 0	0:17	IPO
B-12	Kelden CHRIST-BONNELL	1	5	Dj ROBERTS	10 - 0	1:41	IPO
B-19	James KREUTZER	2	3	Asher YOUNG	0 - 10	0:32	IPO
B-20	Kelden CHRIST-BONNELL	1	4	Nathan ROLFE	10 - 0	0:17	IPO
B-27	Asher YOUNG	3	5	Dj ROBERTS	10 - 0	0:37	IPO
B-28	James KREUTZER	2	4	Nathan ROLFE	0 - 5	3:00	WAZ
B-35	Kelden CHRIST-BONNELL	1	3	Asher YOUNG	0 - 10	1:32	WIP
B-36	James KREUTZER	2	5	Dj ROBERTS	0 - 1	3:43	GS

## Results

Pos	Name
1	Asher YOUNG, Hart
2	Kelden CHRIST-BONNELL, Nakamura
3	Dj ROBERTS, Hiro's
4	Nathan ROLFE, Ishi Yama

# U16M -55 kg

## Competitors

#	Name	Grade	Club	1	2	3	4	5	Wins	Pts	Pos
1	Riley STANG	Blue	Saskatoon YMCA	XX		10			1	10	4
2	Xavier PENETRANTE	Green	St. Albert Tokai	10	XX	10	10		3	30	2
3	Ashton DEBRUYNE	Green	Vibank			XX			0	0	5
4	Albert BIXI	Green	Ishi Yama	10		1	XX		2	11	3
5	Anthony GORODETSKY	Blue	Ishi Yama	10	10	10	10	XX	4	40	1

## Matches

Match	White			Blue	Result	Time	Code
B-3	Albert BIXI	4	5	Anthony GORODETSKY	0 - 10	0:01	WIP
B-4	Riley STANG	1	2	Xavier PENETRANTE	0 - 10	0:20	IPO
B-9	Ashton DEBRUYNE	3	4	Albert BIXI	0 - 1	3:52	GS
B-10	Riley STANG	1	5	Anthony GORODETSKY	0 - 10	1:33	WIP
B-15	Xavier PENETRANTE	2	3	Ashton DEBRUYNE	10 - 0	1:49	WIP
B-16	Riley STANG	1	4	Albert BIXI	0 - 10	1:38	IPO
B-23	Ashton DEBRUYNE	3	5	Anthony GORODETSKY	0 - 10	0:42	WIP
B-24	Xavier PENETRANTE	2	4	Albert BIXI	10 - 0	2:51	IPO
B-31	Riley STANG	1	3	Ashton DEBRUYNE	10 - 0	0:29	IPO
B-32	Xavier PENETRANTE	2	5	Anthony GORODETSKY	0 - 10	2:08	IPO

## Results

Pos	Name
1	Anthony GORODETSKY, Ishi Yama
2	Xavier PENETRANTE, St. Albert Tokai
3	Albert BIXI, Ishi Yama
4	Riley STANG, Saskatoon YMCA

# U16M -60 kg

## Competitors A

#	Name	Grade	Club	1	2	3	Wins	Pts	Pos
1	Conner HAMMER	Green	Swift Current	XX			0	0	3
2	Iftikor KHAIDAROV	Orange	Hiro's	10	XX	1	2	11	1
3	Gabriel PATERSON	Blue	Hart	10		XX	1	10	2

## Matches A

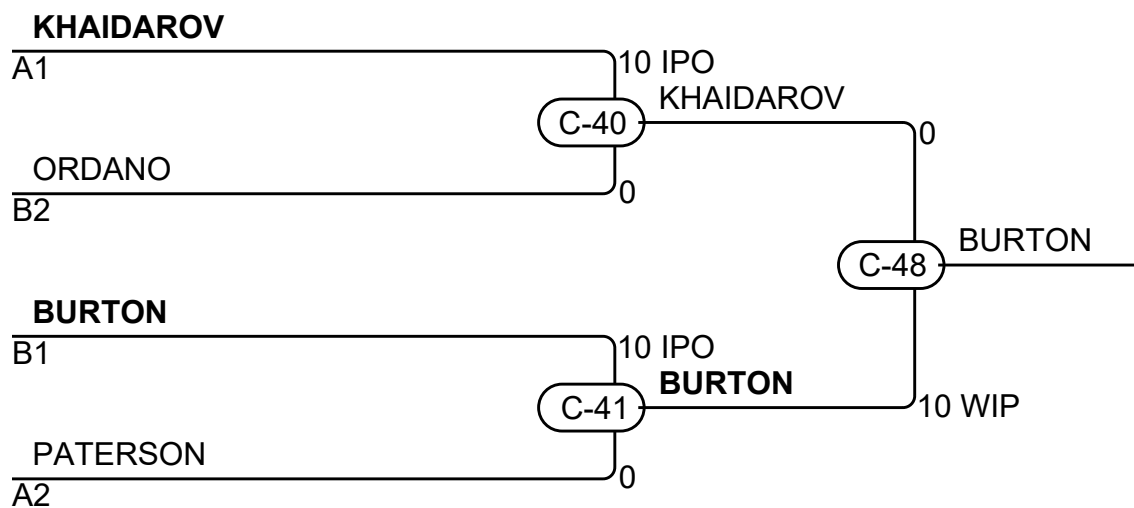
Match	White	Blue	Result	Time	Code
C-9	Conner HAMMER 1 2	Iftikor KHAIDAROV	0 - 10	2:41	IPO
C-19	Conner HAMMER 1 3	Gabriel PATERSON	0 - 10	1:00	IPO
C-30	Iftikor KHAIDAROV 2 3	Gabriel PATERSON	1 - 0	5:02	GS

## Competitors B

#	Name	Grade	Club	4	5	6	Wins	Pts	Pos
4	Aydin GREENWOOD	Green	Hart	XX			0	0	3
5	Alex ORDANO	Blue	Steveston	10	XX		1	10	2
6	Nathaniel BURTON	Blue	Regina Y	10	10	XX	2	20	1

## Matches B

Match	White	Blue	Result	Time	Code
C-10	Aydin GREENWOOD 4 5	Alex ORDANO	0 - 10	0:32	IPO
C-20	Aydin GREENWOOD 4 6	Nathaniel BURTON	0 - 10	0:10	IPO
C-31	Alex ORDANO 5 6	Nathaniel BURTON	0 - 10	1:10	IPO



## Results

Pos	Name
1	Nathaniel BURTON, Regina Y
2	Iftikor KHAIDAROV, Hiro's
3	Alex ORDANO, Steveston
3	Gabriel PATERSON, Hart

# U16M -66 kg

## Competitors

#	Name	Grade	Club	1	2	3	4	5	Wins	Pts	Pos
1	Victor CRAEVOI	Blue	St. Albert Tokai	XX		10		10	2	20	3
2	Carter ALTHOUSE	Green	Lethbridge Kyodokan	10	XX	10		10	3	30	2
3	Israel Samson HAMRAEV	Blue	Morden			XX		10	1	10	4
4	Katsuji LEUNG	Brown	Hiro's	10	5	10	XX	10	4	35	1
5	Owen EDEL	Green	Kodokwai					XX	0	0	5

## Matches

Match	White			Blue	Result	Time	Code
B-1	<b>Katsuji LEUNG</b>	4	5	Owen EDEL	10 - 0	0:15	IPO
B-2	Victor CRAEVOI	1	2	<b>Carter ALTHOUSE</b>	0 - 10	2:36	IPO
B-7	Israel Samson HAMRAEV	3	4	<b>Katsuji LEUNG</b>	0 - 10	0:13	IPO
B-8	<b>Victor CRAEVOI</b>	1	5	Owen EDEL	10 - 0	0:31	WIP
B-13	<b>Carter ALTHOUSE</b>	2	3	Israel Samson HAMRAEV	10 - 0	0:28	WIP
B-14	Victor CRAEVOI	1	4	<b>Katsuji LEUNG</b>	0 - 10	1:30	IPO
B-21	<b>Israel Samson HAMRAEV</b>	3	5	Owen EDEL	10 - 0	1:24	IPO
B-22	Carter ALTHOUSE	2	4	<b>Katsuji LEUNG</b>	0 - 5	3:00	WAZ
B-29	<b>Victor CRAEVOI</b>	1	3	Israel Samson HAMRAEV	10 - 0	0:47	WIP
B-30	<b>Carter ALTHOUSE</b>	2	5	Owen EDEL	10 - 0	0:32	IPO

## Results

Pos	Name
1	Katsuji LEUNG, Hiro's
2	Carter ALTHOUSE, Lethbridge Kyodokan
3	Victor CRAEVOI, St. Albert Tokai
4	Israel Samson HAMRAEV, Morden

# U16M -73 kg

## Competitors

#	Name	Grade	Club	1	2	3	4	Wins	Pts	Pos
1	Andrew MICU	Blue	Hiro's	XX	10	10	10	3	30	1
2	Christopher HRONOPOULOS	Green	Kodokwai		XX	10		1	10	3
3	Brody MALINOWSKI	Green	Selkirk			XX		0	0	4
4	Dylan TULLY	Blue	Nakamura		10	10	XX	2	20	2

## Matches

Match	White			Blue	Result	Time	Code
C-15	<b>Andrew MICU</b>	1	2	Christopher HRONOPOULOS	10 - 0	1:45	IPO
C-16	Brody MALINOWSKI	3	4	<b>Dylan TULLY</b>	0 - 10	0:40	IPO
C-25	<b>Andrew MICU</b>	1	3	Brody MALINOWSKI	10 - 0	1:22	IPO
C-26	Christopher HRONOPOULOS	2	4	<b>Dylan TULLY</b>	0 - 10	0:28	IPO
C-36	<b>Andrew MICU</b>	1	4	Dylan TULLY	10 - 0	1:10	IPO
C-37	<b>Christopher HRONOPOULOS</b>	2	3	Brody MALINOWSKI	10 - 0	1:04	IPO

## Results

Pos	Name
1	Andrew MICU, Hiro's
2	Dylan TULLY, Nakamura
3	Christopher HRONOPOULOS, Kodokwai

# U16M +73 kg

## Competitors

#	Name	Grade	Club	1	2	3	4	5	Wins	Pts	Pos
1	Pierce JING	Blue	Steveston	XX	10				1	10	4
2	Judah KURPJUWEIT	Yellow	Medicine Hat		XX				0	0	5
3	Corban TAYLOR	Orange	Kenshukan	10	10	XX		10	3	30	2
4	Shion CROOK	Blue	Hiro's	10	10	1	XX	10	4	31	1
5	James LABINE	Green	Hiro's	10	10			XX	2	20	3

## Matches

Match	White			Blue	Result	Time	Code
A-7	<b>Shion CROOK</b>	4	5	James LABINE	10 - 0	0:25	WIP
A-8	<b>Pierce JING</b>	1	2	Judah KURPJUWEIT	10 - 0	0:07	IPO
A-12	Corban TAYLOR	3	4	<b>Shion CROOK</b>	0 - 1	3:57	GS
A-13	Pierce JING	1	5	<b>James LABINE</b>	0 - 10	1:06	IPO
A-18	Judah KURPJUWEIT	2	3	<b>Corban TAYLOR</b>	0 - 10	0:52	WIP
A-19	Pierce JING	1	4	<b>Shion CROOK</b>	0 - 10	1:04	IPO
A-26	<b>Corban TAYLOR</b>	3	5	James LABINE	10 - 0	2:52	WIP
A-27	Judah KURPJUWEIT	2	4	<b>Shion CROOK</b>	0 - 10	0:22	WIP
A-36	Pierce JING	1	3	<b>Corban TAYLOR</b>	0 - 10	1:57	IPO
A-37	Judah KURPJUWEIT	2	5	<b>James LABINE</b>	0 - 10	0:35	IPO

## Results

Pos	Name
1	Shion CROOK, Hiro's
2	Corban TAYLOR, Kenshukan
3	James LABINE, Hiro's
4	Pierce JING, Steveston