

U16M -60 kg

Competitors A

#	Name	Grade	Club	1	2	3	Wins	Pts	Pos
1	Conner HAMMER	Green	Swift Current	XX			0	0	3
2	Iftikor KHAIDAROV	Orange	Hiro's	10	XX	1	2	11	1
3	Gabriel PATERSON	Blue	Hart	10		XX	1	10	2

Matches A

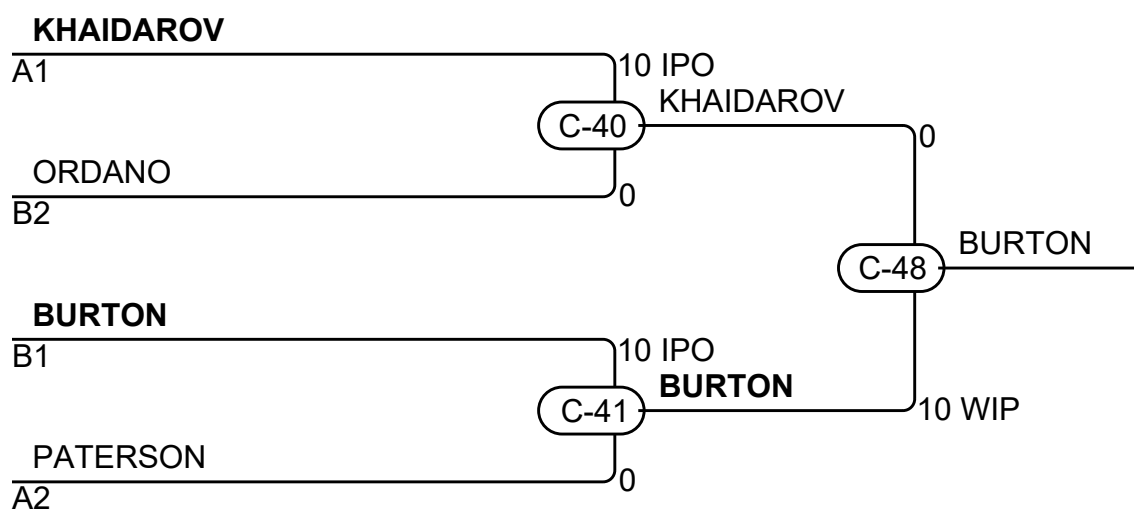
Match	White	Blue	Result	Time	Code
C-9	Conner HAMMER 1 2	Iftikor KHAIDAROV	0 - 10	2:41	IPO
C-19	Conner HAMMER 1 3	Gabriel PATERSON	0 - 10	1:00	IPO
C-30	Iftikor KHAIDAROV 2 3	Gabriel PATERSON	1 - 0	5:02	GS

Competitors B

#	Name	Grade	Club	4	5	6	Wins	Pts	Pos
4	Aydin GREENWOOD	Green	Hart	XX			0	0	3
5	Alex ORDANO	Blue	Steveston	10	XX		1	10	2
6	Nathaniel BURTON	Blue	Regina Y	10	10	XX	2	20	1

Matches B

Match	White	Blue	Result	Time	Code
C-10	Aydin GREENWOOD 4 5	Alex ORDANO	0 - 10	0:32	IPO
C-20	Aydin GREENWOOD 4 6	Nathaniel BURTON	0 - 10	0:10	IPO
C-31	Alex ORDANO 5 6	Nathaniel BURTON	0 - 10	1:10	IPO



Results

Pos	Name
1	Nathaniel BURTON, Regina Y
2	Iftikor KHAIDAROV, Hiro's
3	Alex ORDANO, Steveston
3	Gabriel PATERSON, Hart